



efficient, ergonomic, versatile
safe

UNIKAR[®]
lift hand truck with winch

AVERO
HANDLING



UNIKAR with universal platform
Art. no. 100 548



UNIKAR with fork
Art. no. 100 528



UNIKAR with fork
load support arm - Art. no. 100 530
and folding toe plate - Art. no. 100 529



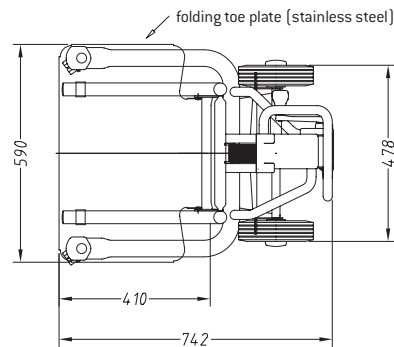
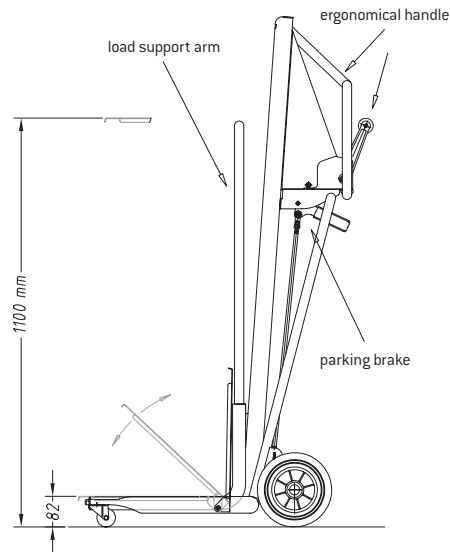
UNIKAR

STRENGTH FOR HEAVY LOADS AND DIFFICULT HEIGHTS

When loads need lifting in extremely confined spaces, the UNIKAR is the perfect tool.

With it, you can lift up to 120 kg to a height of 1100 mm in comfort and safety. Additional lifting heights up to a maximum of 1600 mm (intervals of 100 mm) are available on request.

Model and article numbers for the complete UNIKAR	UNIKAR with fork Art. no. 100 528 UNIKAR with universal platform Art. no. 100 548
Lifting speed	70 mm per crank rotation [16 turns for full lifting height]
Nominal load capacity	120 kg with centre of gravity at 300 mm 150 kg with centre of gravity at 210 mm
Lifting height	1100 mm - 1600 mm
Rear wheels	200 mm diameter with ball bearings
Front wheels	50 mm double swivel casters with tapered ball bearings
Weight	25 kg
Frame	steel, galvanised and chrome-plated
Cover	blue powder-coated



Ingenious design for maximum efficiency

What manufacturing a good product means to us is primarily that we design it so that our customers can work easier and faster in precisely the way they need to get the job done.

That is why the UNIKAR offers many details that respond precisely to individual requirements. It is extremely manoeuvrable, enables loads to be transported over bumps and small steps and offers a selection of modular equipment options that make the UNIKAR the specialist hand truck for a wide range of applications.

All the advantages at a glance

- > easy to use
- > highly manoeuvrable
- > tube construction for maximum strength at a weight of just 25 kg
- > 200 mm diameter rear wheels enable loads to be transported across uneven floors and small steps
- > parking brake on both rear wheels
- > low-noise winch with safety crank handle
- > galvanised finish suitable for clean environments
- > 50 mm wide load strap instead of steel cable or chain for maintenance-free, clean operation



Lifting clearance of 1100 mm
to max. 1600 mm available.

UNIKAR

STURDY LIFTING HAND TRUCK FOR ERGONOMIC WORK

EASY HANDLING AND HIGHLY EFFECTIVE

Ideal for jobs involving transportation of heavy loads or stacking shelves. Perfect ergonomics, that directly increase efficiency and provide fast return on investment as a result.

The design of the UNIKAR is actually very simple. But the numerous possibilities it offers to users for their logistics in a huge variety of industries guarantee increased efficiency at every step.

Wide range of uses

A selection of toe plates and attachments make the UNIKAR an assistant in numerous branches that you soon won't want to be without.

The UNIKAR is constructed in such a way that we have fitted a 50-mm-wide strap instead of a chain or a steel cable. This makes it low-noise, maintenance-free and clean. And you can carry loads of up to 120 kg despite its low weight of only 25 kg unladen.

Two basic models

Add from a range of optional equipment match the UNIKAR lifting hand trucks to every situation.

UNIKAR with forks - *Art. no. 100 528*

UNIKAR with universal platform - *Art. no. 100 548*

[See universal platform in lower right image]

Accessories for UNIKAR with fork

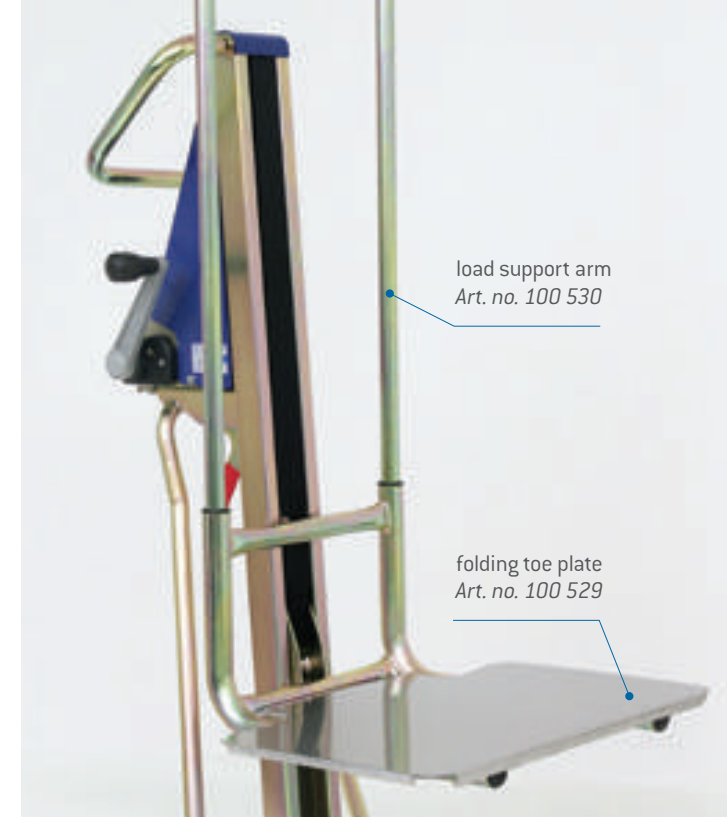
[See upper right image]

load support arm - *Art. no. 100 530*

folding toe plate - *Art. no. 100 529*

Lifting heights to match your needs

The standard version of the UNIKAR lifting hand truck is supplied with a lifting height of 1100 mm. Additional lifting heights of 1300 mm up to max. 1600 mm are available on request [intervals of 100 mm].







UNIKAR®
lift hand truck with winch

MEER INFO? CONTACTEER ONS VRIJBLIJVEND

T 051 48 02 05 | info@averohandling.be | www.averohandling.be

Posterijlaan 53 - 8740 Pittem

AVERO 
HANDLING 