

# MULTI-PURPOSE MATERIAL LIFT

**BD 1** SMALL AND PORTABLE, IT CAN EASILY BE CARRIED FOR IMMEDIATE ACTION ON JOB SITE



<b>Load capacity</b>	<b>180 kg</b>
<b>Weight</b>	<b>60 kg</b>
<b>Lifting height</b> with fork	<b>2,88 m</b>
with platform	<b>3 m</b>
<b>Dimensions</b> for transport	<b>1169 x 778 x 471 mm</b>



with platform



with load hook



for transport

## ACCESSORIES



adjustable fork



glass cradle  
up to 180 kg



jib with hook



platform



according  
your need

- Aluminum mast (anti-twist rails) with steel pulleys
- Immediate use on site
- Removable feet for easy transport in vehicle
- Manual winch with automatic brake and special lifting steel wire
- Easy transport on site
- Legs with swivel wheels Ø 76 mm and provided with a brake
- Two wheels Ø 250 mm with adjustable wheels base up to 1060 mm for improved stability with load
- Blocking mast during transport in vehicle



BD 1 mit wood beam 180 kg - 7 m Lenght

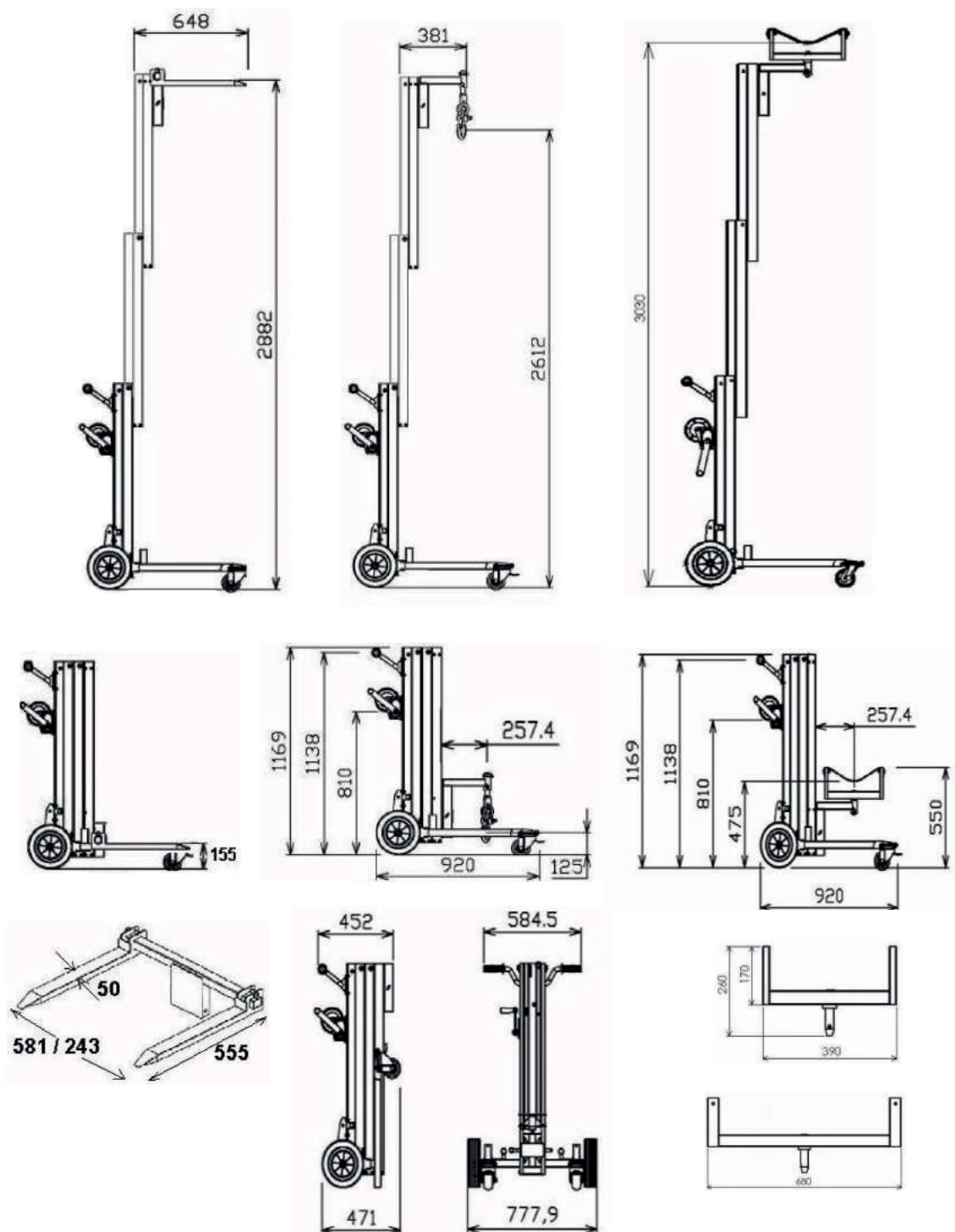
## MEER INFO? CONTACTEER ONS VRIJBLIJVEND

T 051 48 02 05 | [info@averohandling.be](mailto:info@averohandling.be) | [www.averohandling.be](http://www.averohandling.be)  
Posterijlaan 53 - 8740 Pittem



# MULTI-PURPOSE MATERIAL LIFT

**BD 1** SMALL AND PORTABLE, IT CAN EASILY BE CARRIED FOR IMMEDIATE ACTION ON JOB SITE



**MEER INFO? CONTACTEER ONS VRIJBLIJVEND**

T 051 48 02 05 | [info@averohandling.be](mailto:info@averohandling.be) | [www.averohandling.be](http://www.averohandling.be)  
Posterijlaan 53 - 8740 Pittem

**AVERO**  
HANDLING