

SANO 
makes life easier.

UNIKAR



UNIKAR®

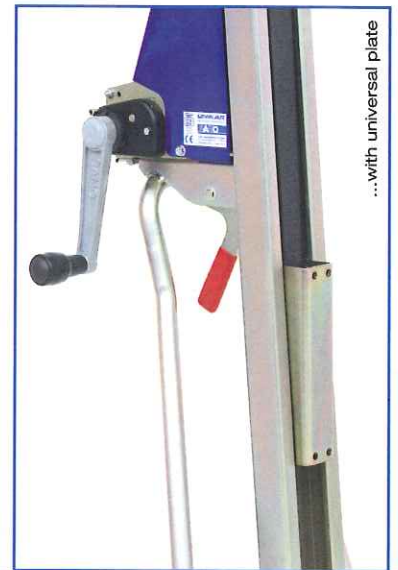
LIFTING HAND TRUCK

SANO

makes life easier.



cargo support and folding platform

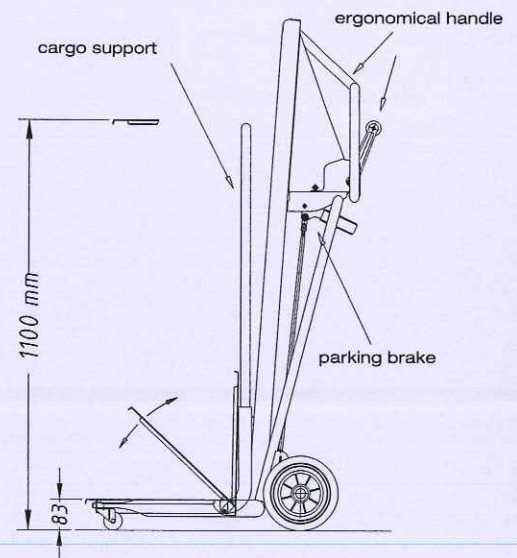
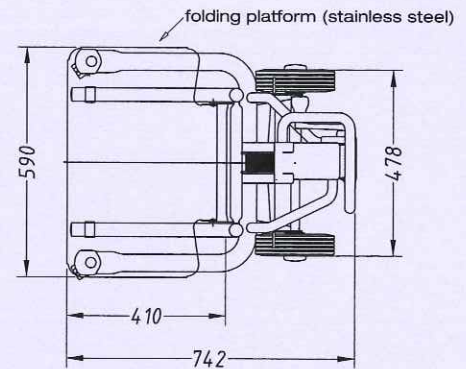


... with universal plate

- Easy to use
- Highly manoeuvrable
- Tubular steel construction to give max. durability with reduced unit weight only 25 kg
- 200 mm diameter rear wheels enabling loads to be transported across uneven floors and over small steps
- Parking brake on both rear wheels
- Low-noise winch with security handle
- High quality galvanised finish suitable for clean environments
- 50 mm load-strap instead of a steel cable or chain maintenance-free and clean

Accessories:

- folding platform (stainless steel)
- cargo support



SPECIFICATIONS

LIFTING SPEED	70 mm per handle turn (16 turns for the complete stroke)
NOMINAL CAPACITY	120 kg
LIFTING HEIGHT	1.100 mm
REAR WHEELS	200 mm with ball bearings
FRONT WHEELS	Double-swivel castors \varnothing 50 mm with cone bearing
WEIGHT	25 kg
FRAME	steel galvanised
COVER	blue powder coated

SANO TRANSPORTGERAETE GmbH

Am Holzpoldgut 22 · 4040 Lichtenberg/Linz · Austria

Tel. +43/(0)7239/51010 · Fax +43/(0)7239/51010-14

E-Mail: office@sano.at · Internet: www.sano.at

Distributor: